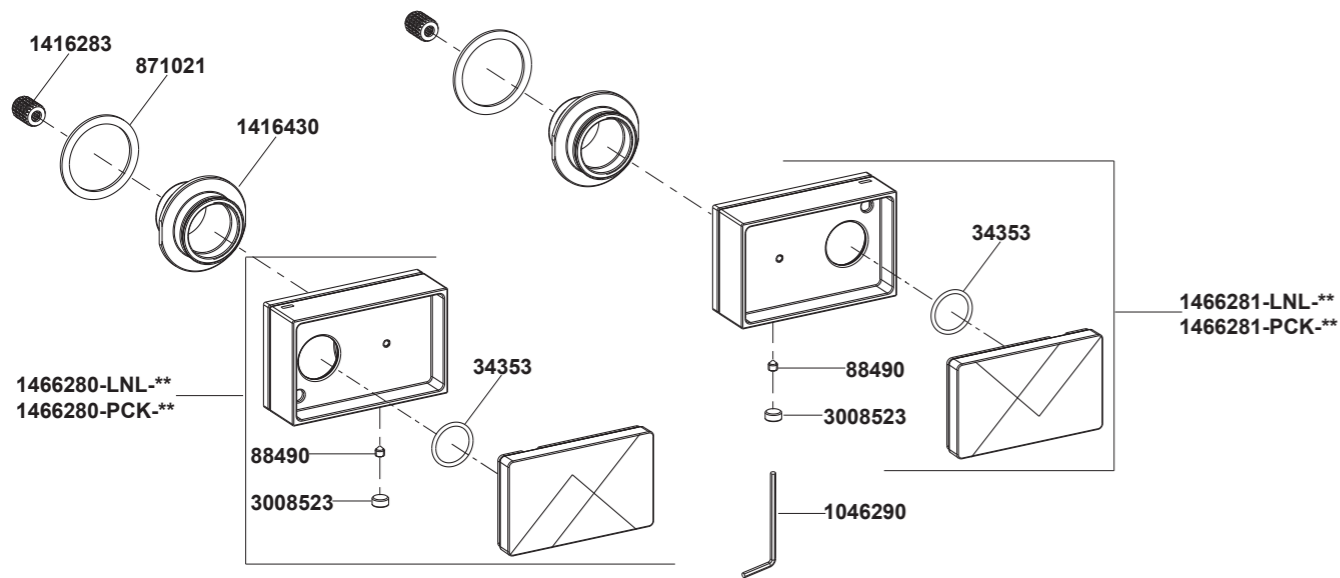
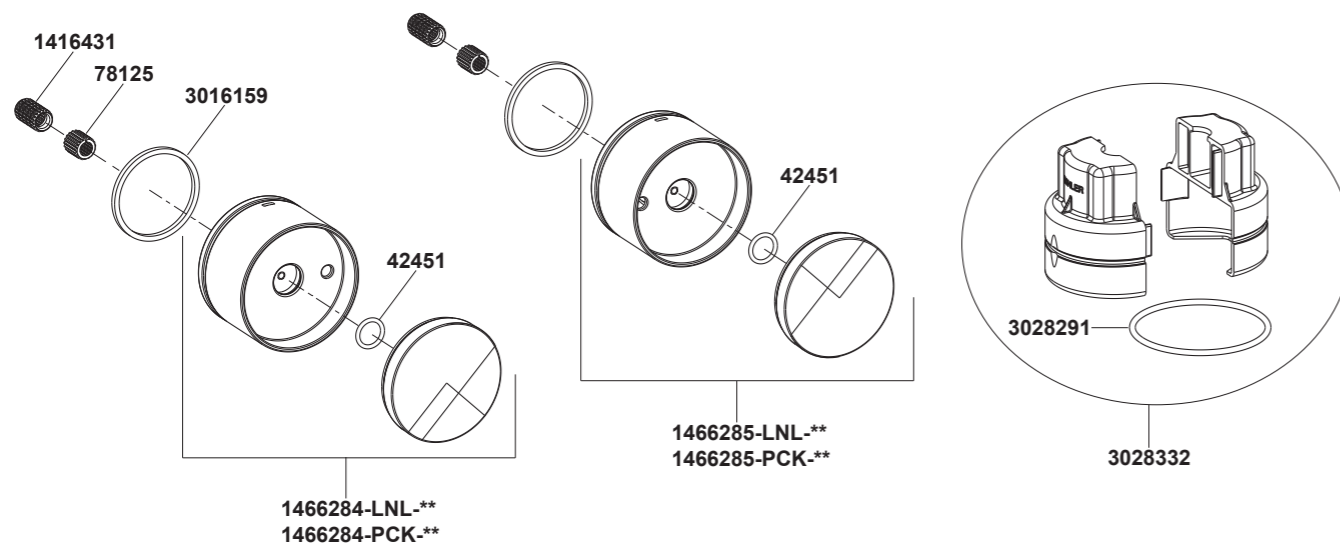


- EX77981T-2LNL 臻彩雅砌墙出水脸盆龙头方型把手(松露灰)
- EX77981T-2PCK 臻彩雅砌墙出水脸盆龙头方型把手(孔雀蓝)
- EX77981T-8LNL 臻彩雅砌墙出水脸盆龙头柱型把手(松露灰)
- EX77981T-8PCK 臻彩雅砌墙出水脸盆龙头柱型把手(孔雀蓝)



EX77981T-2LNL/2PCK



EX77981T-8LNL/8PCK

\*\*订购时请说明颜色编号

\*\*Color code must be specified when ordering

- EX77981T-2LNL 臻彩雅砌墙出水脸盆龙头方型把手(松露灰)
- EX77981T-2PCK 臻彩雅砌墙出水脸盆龙头方型把手(孔雀蓝)
- EX77981T-8LNL 臻彩雅砌墙出水脸盆龙头柱型把手(松露灰)
- EX77981T-8PCK 臻彩雅砌墙出水脸盆龙头柱型把手(孔雀蓝)

### 安装之前

所有的资料是按最新出版的产品资料编写而成。科勒公司保留任何时候不经通知即可改变产品特性、包装或产品可供类型的权利。

说明书包括重要的安装、保养及清洁方面的内容，请把这些资料交给用户阅读。

#### 注意事项：

1. 一定要先彻底冲洗供水管以清除管道中的杂质。
2. 检查供水管有无损坏。如需要，进行替换。
3. 遵守当地管路安装条例。
4. 对于方型把手EX77981T-2LNL/2PCK，需与双把墙出水脸盆龙头阀芯28139T-NA搭配使用。
5. 对于柱型把手EX77981T-8LNL/8PCK，需与双把墙出水脸盆龙头阀芯24896T-NA搭配使用。
6. 确保在把手安装之前，双把墙出水脸盆龙头阀芯28139T-NA或24896T-NA已安装完毕。

### BEFORE YOU BEGIN

All information is based on the latest product information available at the time of publication. Kohler Co. reserves the right to make changes in product characteristics, packaging, or availability at any time without notice.

Please leave these instructions for the consumer. They contain important information.

#### NOTES:

1. Flush the water supply pipes thoroughly to remove debris.
2. Inspect the supply tubing for damage. Replace as necessary.
3. Observe local plumbing codes.
4. For EX77981T-2LNL/2PCK, match with wall-mount dual handle lavatory faucet valve 28139T-NA.
5. For EX77981T-8LNL/8PCK, match with wall-mount dual handle lavatory faucet valve 24896T-NA.
6. Install the valve 28139T-NA or 24896T-NA before installing these handles.

### 使用说明

对于方型把手EX77981T-2LNL/2PCK，顺时针旋转右把手为开，逆时针旋转左把手为开。

对于柱型把手EX77981T-8LNL/8PCK，逆时针旋转右把手为开，顺时针旋转左把手为开。

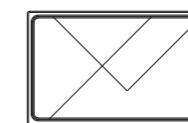
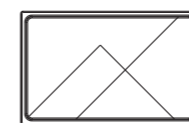
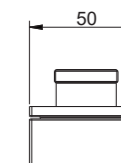
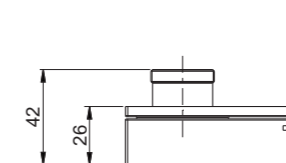
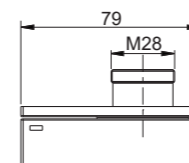
### HANDLE OPERATION

For EX77981T-2LNL/2PCK, turn on the right handle clockwise for cold water, turn on the left handle counter-clockwise for hot water.

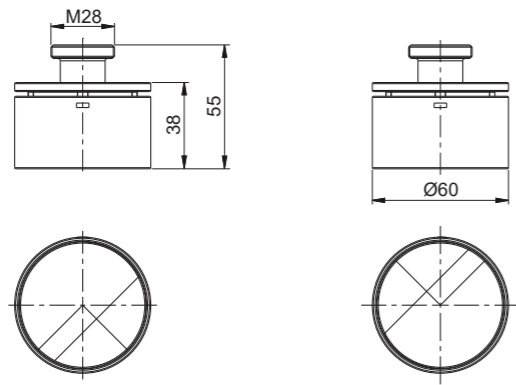
For EX77981T-8LNL/8PCK, turn on the right handle counter-clockwise for cold water, turn on the left handle clockwise for hot water.

### 安装尺寸

### ROUGH-IN DIMENSIONS



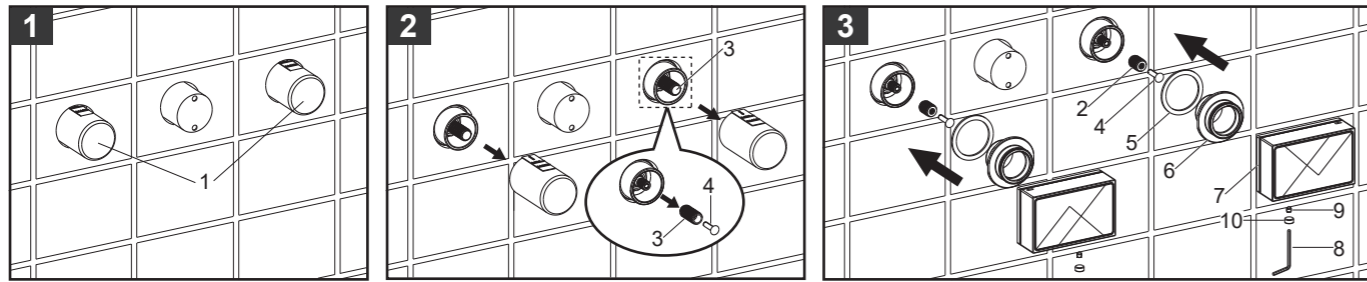
EX77981T-2LNL/2PCK



EX77981T-8LNL/8PCK

## 安装步骤

## INSTALLATION



### 对于EX77981T-2LNL/2PCK

### For EX77981T-2LNL/2PCK

如图1所示，装修好的墙面应在阀芯保护套(1)上的“MIN”和“MAX”线之间。拿掉阀芯保护套。关闭阀芯。

The finished wall should be between the lines of “MIN” and “MAX” on the protectors(1) as figure 1 shown. Remove and discard the protectors. Turn off the valves.

### 如何选用齿套

根据阀芯埋墙深浅选择相应的齿套。

#### 选择一：

当阀芯保护套上的MIN线至墙面的距离在0~8mm时，选用本产品随附齿套(2)。这时需取下阀芯上的加长齿套(3)：如图2所示，用螺丝刀(用户自备)取出螺钉(4)，再取下加长齿套。接着安装齿套(2)，并用螺钉(4)锁紧齿套。

### How to Select the Stem

Select the stem according to the depth of the valve embedded in the wall.

#### Option 1

When the distance between the “MIN” line on the valve protector and the finished wall is 0~8mm, select the stem(2) provided in the product. Uninstall the extension stem(3) from the valve. Take out the screw(4) with a screwdriver(provided by user), and then remove the extension stem as figure 2 shown. Install the stem(2), and tighten it with the screw(4).

#### 选择二：

当阀芯保护套上的MIN线至墙面的距离在8~10mm时，保留阀芯上的加长齿套(3)，无需再安装齿套(2)。

#### Option 2

When the distance between the “MIN” line on the valve protector and the finished wall is 8~10mm, keep the extension stem(3) on the valve. It is not necessary to install the stem(2).

### 如何安装把手

将垫片(5)装到底座(6)底部凹槽中。

将带有垫片的底座旋紧到阀套上并贴紧墙面。保持螺钉孔朝下，将把手(7)安装到底座上。**注意：**带红色标记的把手安装在左侧。

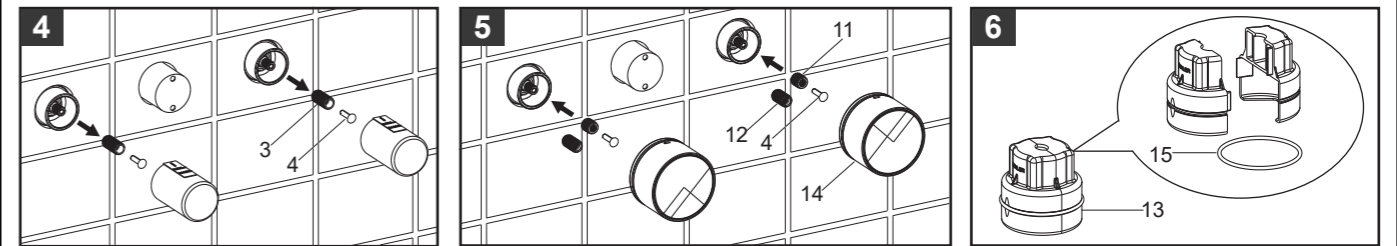
### How to Install the Handle

Put the washer(5) into the groove of the base(6).

Screw the base(accompany with washer) onto the sleeve until it is against the finished wall. Keep the screw hole facing downwards. Place the handle(7) onto the base. **NOTE:** The handle with red mark should be installed on the left.

用六角扳手(8)锁紧螺钉(9)固定把手，放入塞扣(10)。

Tighten the screw(9) to secure the handle with a hex wrench(8), insert the plug(10).



### 对于EX77981T-8LNL/8PCK

### For EX77981T-8LNL/8PCK

如图1所示，装修好的墙面应在阀芯保护套(1)上的“MIN”和“MAX”线之间。拿掉阀芯保护套。关闭阀芯。

The finished wall should be between the lines of “MIN” and “MAX” on the protectors(1) as figure 1 shown. Remove and discard the protectors. Turn off the valves.

### 如何选用齿套

根据阀芯埋墙深浅选择相应的齿套。

#### 选择一：

当阀芯保护套上的MIN线至墙面的距离在0~5mm时，选用本产品随附齿套(11)。

### How to Select the Stem

Select the stem according to the depth of the valve embedded in the wall.

#### Option 1

When the distance between the “MIN” line on the valve protector and the finished wall is 0~5mm, select the stem(11) provided in the product.

#### 选择二：

当阀芯保护套上的MIN线至墙面的距离在5~10mm时，选用本产品随附加长齿套(12)。

#### Option 2

When the distance between the “MIN” line on the valve protector and the finished wall is 5~10mm, select the extension stem(12) provided in the product.

### 安装所选齿套：

先取下阀芯上的加长齿套(3)：如图4所示，用螺丝刀(用户自备)取出螺钉(4)，再取下加长齿套。接着安装齿套(11)或加长齿套(12)，并用螺钉(4)锁紧齿套。

### Install the Stem

Uninstall the extension stem(3) from the valve. Take out the screw(4) with a screwdriver(provided by user), and then remove the extension stem as figure 4 shown. Install the stem(11) or extension stem(12), and tighten it with the screw(4).

### 如何安装把手

用把手工具(13)将把手(14)旋紧到齿套或加长齿套上并贴紧墙面。**注意：**带红色标记的把手安装在左侧。

### How to Install the Handle

Screw the handle(14) onto the stem or extension stem with the handle wrench(13) until it is against the finished wall. **NOTE:** The handle with red mark should be installed on the left.

如图6所示，将把手工具从把手拆下：先取出O型圈(15)，再将两个塑料件分开。

Uninstall the handle wrench. Remove the O-ring(15), separate it into two parts as figure 6 shown.



EX77981T-2LNL/2PCK

把手安装完毕处于关闭状态的位置如图所示。



EX77981T-8LNL/8PCK

The figure shown is the correct position of the handles in the closed position.

## 清洗说明

## CLEANING INSTRUCTIONS

适用于所有加工处理过的表面：以中性肥皂水清洗镀层表面，再以干净的软布彻底擦干整个表面，许多清洁剂，比如氨水、去污粉及洁厕灵等，会对电镀表面造成伤害，切忌使用。

All Finishes: Clean the finish with mild soap and warm water. Wipe entire surface completely dry with clean soft cloth. Many cleaners may contain chemicals, such as ammonia, chlorine, toilet cleaner etc. which could adversely affect the finish and are not recommended for cleaning.

有磨损性的清洁用具或清洁剂也不可适用于科勒牌的水龙头及其配件上。

Do not use abrasive cleaners or solvents on Kohler faucets and fittings.